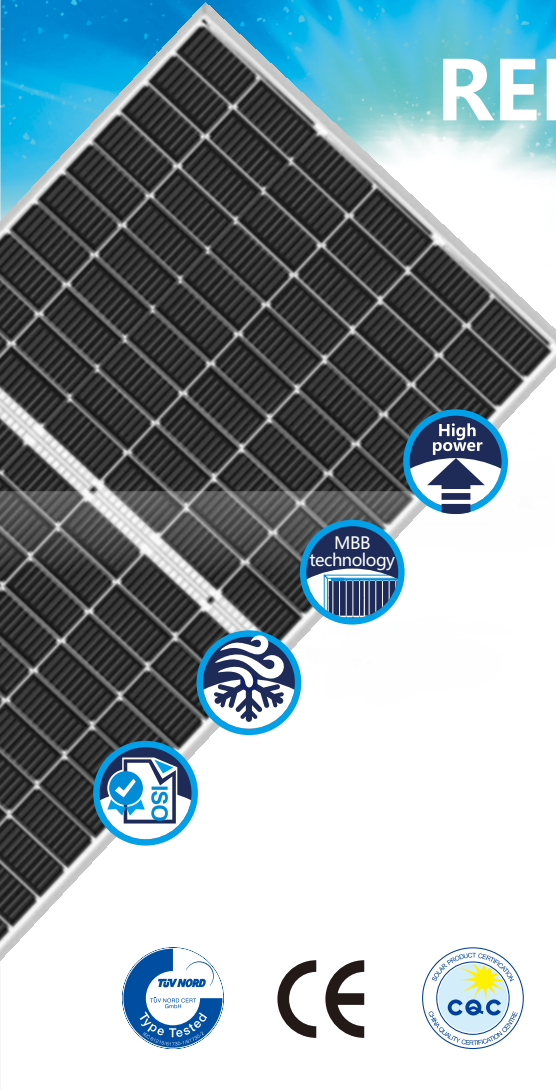


REESUN120H-182M-10BB 430-450W



High Efficiency Low LID Mono PERC with Half-cut Technology

Positive power tolerance (0 ~ +5W) guaranteed

High module conversion efficiency (up to 20.80%)

Slower power degradation enabled by Low LID Mono PERC technology:
first year <2.0%, 0.55% year 2-25

Solid PID resistance ensured by solar cell process optimization and careful module BOM selection

Reduced resistive loss with lower operating current
Higher energy yield with lower operating temperature

Reduced hot spot risk with optimized electrical design and lower operating current

Complete System and Product Certifications

IEC 61215, IEC 61730

ISO 9001:2015: ISO Quality Management System

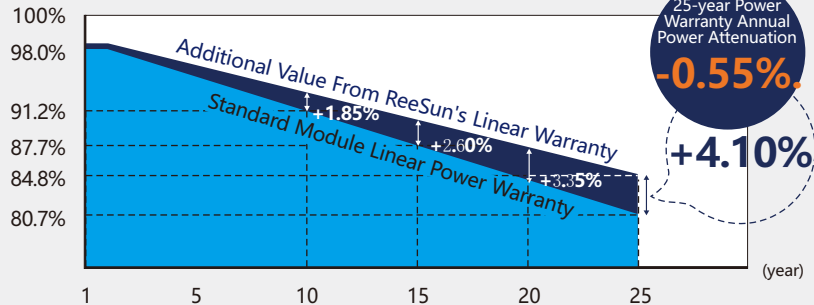
ISO 14001:2015: ISO Environment Management System

ISO 45001:2018 Occupational Health and Safety

Jiangsu ReeSun Solar Co., Ltd. is a high-tech PV enterprise dedicated to research, development, production, sales & after sales service, mainly engaged in crystalline silicon solar cells, solar panels, photovoltaic systems, PV applications. Our product specifications are compatible with 158-210 size battery cells, adopting German TUV quality control standards, and realizing the whole process quality traceability from auxiliary materials to finished components.

* Specifications subject to technical changes and tests.
ReeSun solar reserves the right of interpretation.

12-year Warranty for Materials and Processing; 25-year Warranty for Extra Linear Power Output.



JIANGSU REESUN SOLAR CO.,LTD.

ADD: No.1 Nanjing Road, Jianhu Economic Development Area, Yancheng, Jiangsu, China. | 224799

TEL: +086 0515-86230222

Fax: +086 0515-86230333

Email: Daniel@rj-solar.cn

Web: <http://www.reesun-solar.com>

Electrical Characteristics

Electrical Characteristics

Test uncertainty for Pmax: ±3%

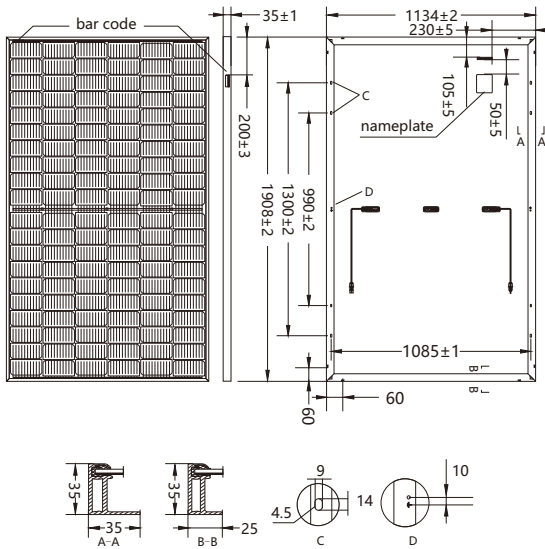
Model Number	430W		435W		440W		445W		450W	
	STC	NOCT	STC	NOCT	STC	NOCT	STC	NOCT	STC	NOCT
Testing Condition										
Maximum Power (Pmax/W)	430	322	435	326	440	329	445	332	450	335
Voltage at Maximum Power (Vmp/V)	33.73	31.36	33.84	31.48	33.95	31.60	34.07	31.71	34.18	31.83
Current at Maximum Power (Imp/A)	12.85	10.28	12.93	10.34	13.01	10.40	13.09	10.46	13.17	10.52
Open Circuit Voltage (Voc/V)	40.83	38.53	40.94	38.64	41.05	38.75	41.17	38.86	41.28	38.96
Short Circuit Current (Isc/A)	13.53	10.93	13.61	10.99	13.69	11.06	13.77	11.12	13.85	11.19
Module Efficiency (%)	19.88		20.11		20.34		20.57		20.80	

STC (Standard Testing Conditions): Irradiance 1000W/m², Cell Temperature 25°C, Spectra at AM1.5

NOCT (Nominal Operating Cell Temperature): Irradiance 800W/m², Ambient Temperature 20°C, Spectra at AM1.5, Wind at 1m/s

Design (mm)

Mechanical & Operating Parameters



Cell Orientation	120 (6×20)
Junction Box	IP68, three diodes
Output Cable	4mm ² , 300mm in length, length can be customized
Glass	Single glass 3.2mm coated tempered glass
Frame	Anodized aluminum alloy frame
Weight	24.5kg
Dimension	1908×1134×35mm
Packaging	31pcs/pallet 744pcs/40'HC
Operational Temperature	-40°C ~ +85°C
Power Output Tolerance	0~+5 W
Voc and Isc Tolerance	±3%
Maximum System Voltage	DC1500V (IEC/UL)
Maximum Series Fuse Rating	25A
Nominal Operating Cell Temperature	45±2°C
Safety Class	Class II
Fire Rating	Class C

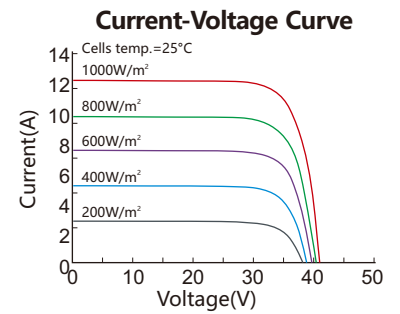
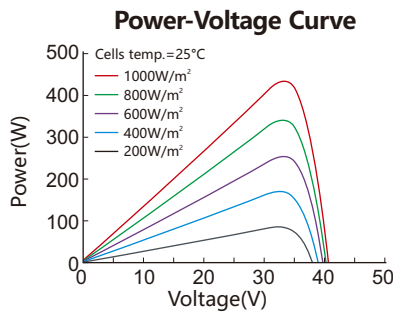
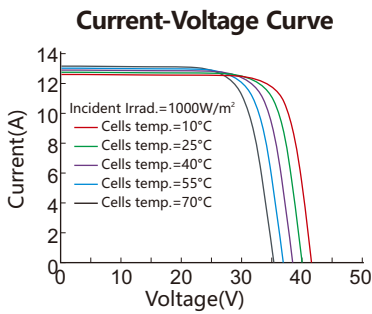
Temperature Ratings (STC)

Mechanical Loading

Temperature Coefficient of Isc	+0.048%/°C
Temperature Coefficient of Voc	-0.270%/°C
Temperature Coefficient of Pmax	-0.350%/°C

Front Side Maximum Static Loading	5400Pa
Rear Side Maximum Static Loading	2400Pa
Hailstone Test	25mm Hailstone at the speed of 23m/s

I-V Curve (REESUN120H-182M-440W)



JIANGSU REESUN SOLAR CO.,LTD.

ADD: No.1 Nanjing Road, Jianhu Economic Development Area, Yancheng, Jiangsu, China. | 224799

TEL: +086 0515-86230222

Fax: +086 0515-86230333

Email: Daniel@rj-solar.cn

Web: <http://www.reesun-solar.com>